

2636, 2641, 2644

6x4 Rigid Specifications

Actros

125! years of innovation



Mercedes-Benz
Trucks you can trust

Engine

Type Mercedes-Benz OM 501 LA
11.9 litre turbocharged V6
360 - 435 hp (1,365 - 1,550 lb.ft)
(See Actros Engines brochure for complete engine specification details)

Transmission

Type Mercedes PowerShift 2
G330-12/11.63-0.77
12 speed constant-mesh automated mechanical transmission

Clutch

Type Self-adjusting single dry plate
Diameter 430 mm

Axles

Front Mercedes-Benz 7,500 kg capacity
Drive Mercedes-Benz 2 x 13,000 kg capacity
Planetary hub reduction
233 mm crown wheel
Inter-axle and cross-axle differential locks
Ratio 3.714 - 1,505 rpm @ 100 km/h

Suspension Front/Rear

Steel / Steel

Front axle Mercedes-Benz 3 leaf parabolic springs
Stabiliser bar and shock absorber
8,000 kg capacity
Rear axle Mercedes-Benz 6 rod with parabolic springs
Stabiliser bar and shock absorbers
2 x 9,500 kg capacity

Steel / Air

Front axle Mercedes-Benz 2 leaf parabolic springs
Stabiliser bar and shock absorber
7,100 kg capacity
Rear axle Mercedes-Benz 8 bag air suspension
Stabiliser bar and shock absorbers
2 x 10,000 kg capacity
Telligent® level control

Tank capacity

Diesel tank 1 x 400 litre rectangular aluminium tank on RHS
AdBlue tank 1 x 85 litre rectangular plastic tank on RHS

Chassis

Main rail Air - 286 mm web x 70 mm flange x 8.0 mm thickness
Steel - 289 mm web x 70 mm flange x 9.5 mm thickness
High strength E 500 TM steel
ECE-R93, Front Underrun Protection Device (FUPD)
Exhaust system SCR catalytic converter with downswept outlet on LHS

Brakes

Front/rear Disc brakes 430 mm diameter
Telligent® electro-pneumatic braking (EBS)
Service 10 bar operating pressure
Automatic adjustment
Air dryer
ABS (anti-lock brakes) & ASR traction control
Roll back prevention
Active Brake Assist 2 autonomous emergency braking
Trailer 2 line trailer brakes with hand control
Air and electrical lines at rear of frame
Engine brake Active Engine Brake (AEB)

Cab

Type M (medium) cab
ECE-R29 compliant cab
Driver's airbag and seatbelt pre-tensioner
(See Actros Cabins brochure for complete cab specification details)

Steering

Type Mercedes-Benz recirculating ball
Integral power assistance
Soft-feel 450 mm steering wheel
Fully adjustable for height and rake

Wheels and tyres

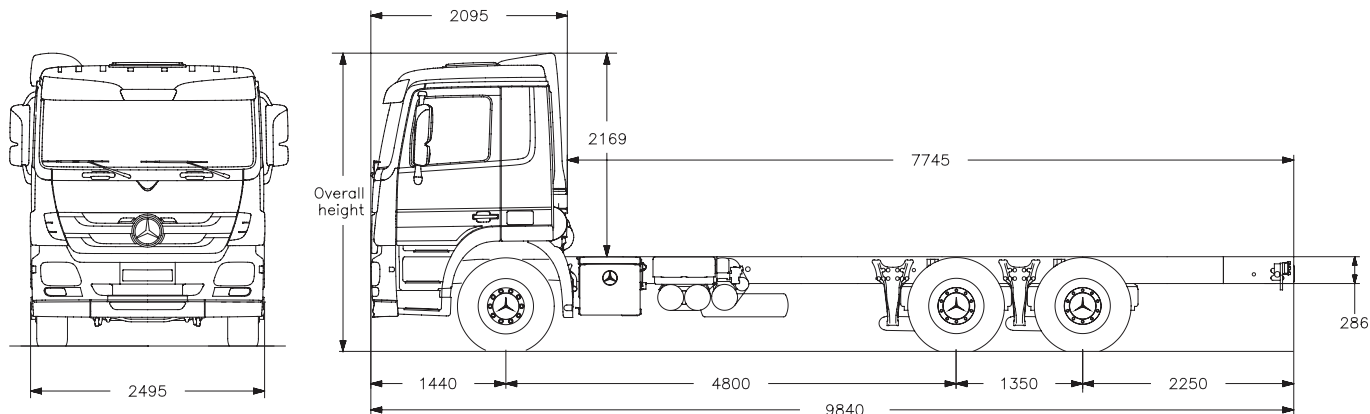
Wheels 10-stud 8.25 x 22.5 steel wheels
Tyres Steer - 295/80 R 22.5
Drive - 11 R 22.5

Electrical system

Voltage 24 volts
Batteries 2 x 12 V/165 Ah
Alternator 28 V/80 A
Starter 6.2 kW/24 V
Road lights Halogen headlights
Fuses Automatic fuses
Body Builder Interface Module (PSM)

Actros, 2636, 2641, 2644

6x4 Rigid Specifications



Note: drawings are general arrangement drawings only. Contact your authorised Dealer for details if required. (LS model shown)

Weights

Tare	Steel suspension	Air suspension
Front axle	4,796 kg	4,756 kg
Rear axles	3,697 kg	3,427 kg
Total	8,493 kg	8,183 kg
Plated weights		
Front axle	7,100 kg	7,100 kg
Rear axles	19,000 kg	19,000 kg
GVM	26,000 kg	26,000 kg
GCM	up to 55,000 kg	up to 55,000 kg

Weights and dimensions shown are to specifications with no fuel, full AdBlue, oil, water and tools. Tare weights are subject to a manufacturing tolerance of $\pm 3\%$. MBAuP reserves the right to alter specification or equipment without notice.

Dimensions

	Steel suspension	Air suspension
Wheelbase	5,100 mm	4,800 mm
Frame height at rear axle (unladen)	1,093 mm	1,038 mm
Frame height at rear axle (laden)	984 mm	1,013 mm
Overall height (unladen)	3,262 mm	3,207 mm
Ground clearance front	278 mm	278 mm
Ground clearance rear	221 mm	249 mm
Cab tilt angle	70°	70°
Turning circle (wall to wall)	19.8 m	20.7 m
Frame width at rear	760 mm	760 mm

Options

- Axle ratio 3.431
- 4200 mm wheelbase
- 5100 mm wheelbase – steel suspension only
- Low cab roof
- Long cab
- MegaSpace cab
- Air deflector cab roof
- Aerodynamic fairing with side air deflectors
- Wood trim dashboard
- Refrigerator
- Driver's and passenger's sunblind
- Chrome plated mirrors
- Dual plate clutch
- Bi-xenon headlamps
- Fuel tank package 2 x 400 litre RHS
- Front foglamps, halogen
- Painted grille
- Painted steps and bumper
- High output 100 Amp alternator
- Air intake under cab
- Vertical exhaust outlet
- Polished Alcoa rims
- PTOs
- Safety package includes:
 - Telligent® lane assist
 - Telligent® proximity control
 - Voith retarder
- Grammer, comfort, co-driver seat
- Lower bunk, M-cab
- Upper bunk, L- and MegaSpace cabs

Authorised Dealer

To speak to your nearest authorised Mercedes-Benz Dealer call 1300 66 22 30

For full Warranty details and limitations contact your authorised Mercedes-Benz Truck Dealer. IMPORTANT! This brochure has been compiled by Mercedes-Benz Australia/Pacific Pty Ltd to provide a general indication of the range of models available in Australia. Some of the models, features, optional extras and/or colours shown may not be available in Australia or may only be available in a different specification. Additionally, some models, features, optional extras and/or colours may only be available in combination with others. Some equipment depicted either on vehicle illustrations or separately may be non standard or options and may, where applicable, be available at an additional cost. For current information on the availability, design features and prices of all models, features, optional extras and/or colours available in Australia, you should contact your authorised Mercedes-Benz Truck Dealer on 1300 66 22 30 or go to www.mercedes-benz.com.au/trucks. All of the information contained in this brochure was correct as at April 2011. However, the manufacturer reserves the right to discontinue, make changes to design and specifications to vehicles or optional equipment without notice. Mercedes-Benz Australia/Pacific Pty Ltd. ABN 23 004 411 410. Lexia Place, Mulgrave, Victoria 3170. Ph: (03) 9566 9266. Facsimile: (03) 9562 0397. The and the words Mercedes-Benz, Telligent® and BlueTec® are registered trademarks of Daimler AG, Stuttgart, Germany.