

1629 A

4x4 All-wheel drive specifications

Atego

125! years of innovation



Mercedes-Benz
Trucks you can trust

Engine

| | |
|------|--|
| Type | Mercedes-Benz OM 906 LA 6.37 litre turbocharged in-line 6 286 hp (826 lb.ft) Euro 5 (See Atego engines brochure for complete engine specification details) |
|------|--|

Transmission

| | |
|------|--|
| Type | Mercedes-Benz G131 - 9/14.6 - 1.00 9 speed synchromesh transmission Hydraulic pneumatic |
|------|--|

Transfer case

| | |
|----------|-------------------------------------|
| Type | Mercedes-Benz VG 900 - 3W,2 gear |
| On-road | 1.00: 1 |
| Off-road | 1.69: 1 |

Clutch

| | |
|----------|---------------------------------|
| Type | Self-adjusting single dry plate |
| Diameter | 395 mm |

Axles

| | |
|-------|---|
| Front | Mercedes-Benz 6,100 kg capacity |
| Drive | Mercedes-Benz 11,000 kg capacity Hypoid reduction Diff lock 390 mm crown wheel |
| Ratio | 3.909 - 2,025 rpm @ 100 km/h |

Suspension

| | |
|------------|--|
| Front axle | Mercedes-Benz 2 leaf parabolic springs Stabiliser bar and shock absorbers 6,100 kg capacity |
| Rear axle | Mercedes-Benz 4 leaf parabolic springs Stabiliser bar and shock absorbers 10,500 kg capacity |

Tank capacity

| | |
|-------------|---|
| Diesel tank | 1 x 325 litre rectangular aluminium tank on LHS |
| AdBlue tank | 1 x 35 litre rectangular plastic tank on RHS |

Chassis

| | |
|----------------|--|
| Main rail | 234 mm web x 65 mm flange x 7.0 mm thickness High strength E 500 TM steel |
| Exhaust system | SCR catalytic converter with downswept outlet on RHS |

Brakes

| | |
|--------------|---|
| Front/rear | Drum brakes 410 mm diameter front 364 mm diameter rear Dual brake circuits Automatic adjustment Air dryer Load-sensing brakes ABS (anti-lock brakes) |
| Engine brake | Active Engine Brake (AEB) With constantly open throttle |

Cab

| | |
|------|---|
| Type | S (Short) cab ECE-R29 compliant cab Multifunction steering wheel CD Radio with Bluetooth (See Atego Cabins brochure for complete cab specification details) |
|------|---|

Steering

| | |
|------|--|
| Type | Mercedes-Benz recirculating ball Integral power assistance Soft-feel 450 mm steering wheel Fully adjustable for height and rake |
|------|--|

Wheels and tyres

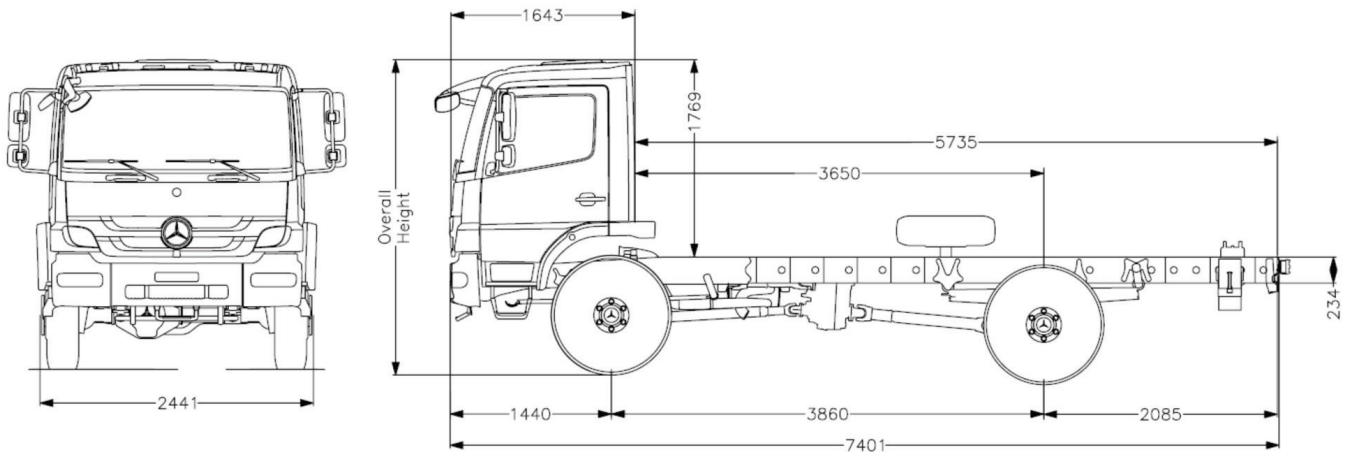
| | |
|--------|--|
| Wheels | 8-stud 7.25 x 22.5 steel wheels |
| Tyres | Steer - 11R 22.5 Bridgestone M840 Drive - 11R 22.5 Bridgestone M840 |

Electrical system

| | |
|--------------|------------------------|
| Voltage | 24 volts |
| Batteries | 2 x 12 V/165 Ah |
| Alternator | 28 V/80 A |
| Starter | 4 kW/24 V |
| Road lights | Halogen headlights |
| Fuses | Automatic fuses |
| Body Builder | Interface module (PSM) |

Atego 1629 A

4x4 All-wheel drive Specifications



Note: Image above is a general arrangement drawing only. Contact your authorised Dealer for further details.

Weights

Tare

| | |
|------------|----------|
| Front axle | 3,485 kg |
| Rear axles | 1,725 kg |
| Total | 5,210 kg |

Plated weights

| | |
|------------|-----------------|
| Front axle | 6,100 kg |
| Rear axles | 10,500 kg |
| GVM | 16,000 kg |
| GCM | up to 34,000 kg |

| Wheelbases | Wheelbase | Overhang |
|------------|-----------|----------|
| 1629 A/36 | 3,610 mm | 1,885 mm |
| 1629 A/39 | 3,860 mm | 2,085 mm |

Dimensions

| | |
|-------------------------------------|----------|
| Wheelbase | 3,860 mm |
| Frame height at rear axle (unladen) | 1,194 mm |
| Frame height at rear axle (laden) | 1,096 mm |
| Overall height (unladen) | 2,963 mm |
| Ground clearance front | 277 mm |
| Ground clearance rear | 259 mm |
| Cab tilt angle | 55° |
| Turning circle (wall to wall) | 17.4 m |
| Frame width at rear | 854 mm |


Dimensions: Weights and dimensions shown are to specifications with no fuel, full AdBlue, oil, water and tools. Tare weights are subject to a manufacturing tolerance of ±3%. MBAuP reserves the right alter specification or equipment without notice.

Options

- Parking brake on 2 axles
- Trailer brakes
- Brake line rupture protection system
- 3,610 mm wheelbase
- Telephone/Fax provision
- Long cab
- Extended short cab
- Crew cab
- 6 person seat/bunk combination
- Rear side windows
- Wood trim dash
- CD Storage box
- Telligent® automated transmission
- Allison automatic transmission
- Fuel tank package 130 litre
- Fog lights
- Protective grill for headlights
- Painted bumper
- 100 Amp high output alternator
- PTO's
- Centre seat
- Leather steering wheel
- Grammer, comfort, co-driver seat
- Leather steering wheel
- In cab cooler box

Authorised Dealer

To speak to your nearest authorised Mercedes-Benz Dealer call **1300 66 22 30**

For full Warranty details and limitations contact your authorised Mercedes-Benz Truck Dealer. IMPORTANT! This brochure has been compiled by Mercedes-Benz Australia/Pacific Pty Ltd to provide a general indication of the range of models available in Australia. Some of the models, features, optional extras and/or colours shown may not be available in Australia or may only be available in a different specification. Additionally, some models, features, optional extras and/or colours may only be available in combination with others. Some equipment depicted either on vehicle illustrations or separately may be non standard or options and may, where applicable, be available at an additional cost. For current information on the availability, design features and prices of all models, features, optional extras and/or colours available in Australia, you should contact your authorised Mercedes-Benz Truck Dealer on **1300 66 22 30** or go to www.mercedes-benz.com.au/trucks. All of the information contained in this brochure was correct as at April 2011. However, the manufacturer reserves the right to discontinue, make changes to design and specifications to vehicles or optional equipment without notice. Mercedes-Benz Australia/Pacific Pty Ltd. ABN 23 004 411 410. Lexia Place, Mulgrave, Victoria 3170. Ph: (03) 9566 9266. Facsimile: (03) 9562 0397. The  and the words Mercedes-Benz, Telligent® and BlueTec® are registered trademarks of Daimler AG, Stuttgart, Germany.