

# 1624, 1629

## 4x2 Rigid Specifications

# Atego

125! years of innovation



**Mercedes-Benz**  
Trucks you can trust

### Engine

Type	Mercedes-Benz OM 926 LA 7.2 litre turbocharged in-line 6 238 - 286hp (630 - 826 lb.ft) *Euro 5 with EEV (See Atego engines brochure for complete engine specification details)
------	--

### Transmission

<b>1624</b>	
Type	Mercedes Benz G85 - 6/6.7 - 0.73 6 speed synchromesh transmission Mechanical gearshift

### 1629

Type	Mercedes Benz G131 - 9/14.6 - 1.00 9 speed synchromesh transmission Mechanical gearshift
------	---

### Clutch

Type	Self-adjusting single dry plate
Diameter	395 mm

### Axles

Front Drive	Mercedes-Benz 6,100 kg capacity Mercedes-Benz 11,000 kg capacity Hypoid reduction 390 mm crown wheel Differential lock
Ratio	1624: 3.909 - 1,690 rpm @ 100 km/h 1629: 2.846 - 1,690 rpm @ 100 km/h

### Suspension

Front axle	Mercedes-Benz 3 leaf parabolic springs Stabiliser bar and shock absorbers 6,100 kg capacity
Rear axle air	Mercedes-Benz 2 bag air suspension Stabiliser bar and shock absorbers 10,500 kg capacity Telligent® level control

### Tank capacity

Diesel tank	1 x 325 litre rectangular aluminium tank on RHS
AdBlue tank	1 x 35 litre rectangular plastic tank on RHS

### Chassis

Main rail	274 mm web x 65 mm flange x 7.0 mm thickness High strength E 380 TM steel Front Underrun Protection Device (FUPD)
Exhaust system	SCR catalytic converter with downswept outlet RHS

### Brakes

Front/rear	Disc brakes 377 mm diameter Dual brake circuits Automatic adjustment Air dryer Load sensing brakes ABS (anti-lock brakes) ASR traction control
------------	--

Engine brake	Active Engine Brake (AEB) with constantly open throttle valve
--------------	---

### Cab

Type	S (Short) cab ECE-R29 compliant cab Driver's airbag and seatbelt pre-tensioner Multifunction steering wheel CD Radio with Bluetooth (See Atego Cabins brochure for complete cab specification details)
------	---

### Steering

Type	Mercedes-Benz recirculating ball Integral power assistance Soft-feel 450 mm steering wheel Fully adjustable for height and rake
------	--

### Wheels and tyres

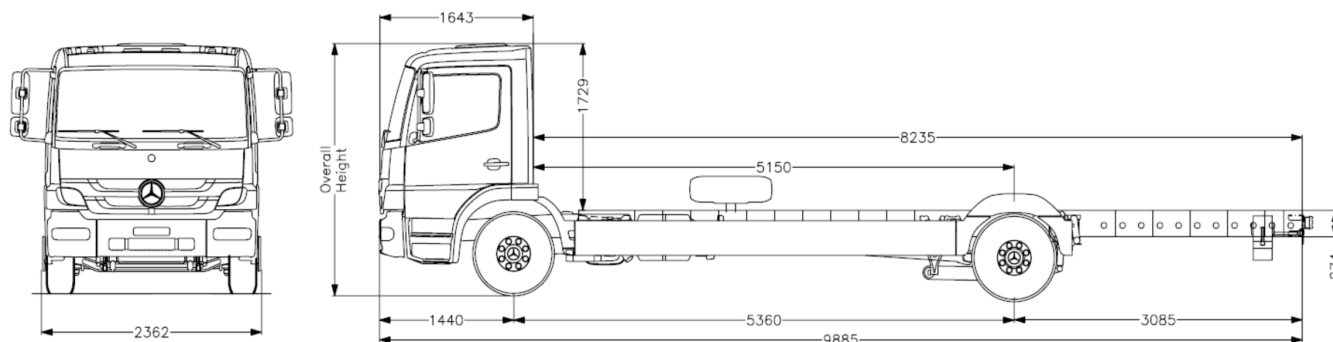
Wheels	8-stud 8.25 x 19.5 steel wheels
Tyres	Steer - 305/70 R 19.5    Bridgestone R227 Drive - 305/70 R 19.5    Bridgestone M729

### Electrical system

Voltage	24 volts
Batteries	2 x 12 V/115 Ah
Alternator	28 V/80 A
Starter	6.2 kW/24 V
Road lights	Halogen headlights
Fuses	Automatic fuses
Body Builder	Interface Module (PSM)

# Atego 1624, 1629

## 4x2 Rigid Specifications



Note: Image above is a general arrangement drawing only. Contact your authorised Dealer for further details.

### Weights

Tare	1624	1629
Front axle	3,200 kg	3,255 kg
Rear axles	1,650	1,655 kg
Total	4,850	4,910 kg
<b>Plated weights</b>		
Front axle	6,100 kg	6,100 kg
Rear axles	10,500 kg	10,500 kg
GVM	16,000 kg	16,000 kg
GCM	20,400 kg	up to 34,000 kg
<b>Wheelbases</b>		
	Wheelbase	Overhang
16XXL/42	4,260 mm	2,285 mm
16XXL/48	4,760 mm	2,685 mm
16XXL/54	5,360 mm	3,085 mm

### Dimensions

Wheelbase	5,360 mm
Frame height at rear axle (unladen)	965 mm
Frame height at rear axle (laden)	925 mm
Overall height (unladen)	2,694 mm
Ground clearance front	245 mm
Ground clearance rear	200 mm
Cab tilt angle	55°
Turning circle (wall to wall)	19.4 m
Frame width at rear	854 mm

Dimensions: Weights and dimensions shown are to specifications with no fuel, full AdBlue, oil, water and tools. Tare weights are subject to a manufacturing tolerance of ±3%. MBAuP reserves the right alter specification or equipment without notice.

### Options

- Axle ratio 3.077
- Trailer brakes
- High roof sleeper
- Telephone/Fax provision
- Long cab
- Extended short cab
- Air deflectors
- Rear side windows
- Wood trim dash
- Leather steering wheel
- CD storage box
- In cab cooler box
- Allison automatic transmission
- Extended fuel tank package
- Upright exhaust outlet
- Fog lights
- Painted bumper
- Painted grille
- PTO's
- 22.5" rims with 11R tyres
- Grammer, comfort, co-driver seat
- Centre seat with seatbelt
- 6 person seat/bunk combination
- Upper bunk

\*Note: The OM 906LA 6.37 litre turbocharged inline 6 238 - 286 hp (630 - 826 lb.ft) engine is used in non EEV variants

Authorised Dealer

To speak to your nearest authorised Mercedes-Benz Dealer call **1300 66 22 30**

**For full Warranty details and limitations contact your authorised Mercedes-Benz Truck Dealer.** IMPORTANT! This brochure has been compiled by Mercedes-Benz Australia/Pacific Pty Ltd to provide a general indication of the range of models available in Australia. Some of the models, features, optional extras and/or colours shown may not be available in Australia or may only be available in a different specification. Additionally, some models, features, optional extras and/or colours may only be available in combination with others. Some equipment depicted either on vehicle illustrations or separately may be non standard or options and may, where applicable, be available at an additional cost. For current information on the availability, design features and prices of all models, features, optional extras and/or colours available in Australia, you should contact your authorised Mercedes-Benz Truck Dealer on **1300 66 22 30** or go to [www.mercedes-benz.com.au/trucks](http://www.mercedes-benz.com.au/trucks). All of the information contained in this brochure was correct as at April 2011. However, the manufacturer reserves the right to discontinue, make changes to design and specifications to vehicles or optional equipment without notice. Mercedes-Benz Australia/Pacific Pty Ltd. ABN 23 004 411 410. Lexia Place, Mulgrave, Victoria 3170. Ph: (03) 9566 9266. Facsimile: (03) 9562 0397. The and the words Mercedes-Benz, Telligent® and BlueTec® are registered trademarks of Daimler AG, Stuttgart, Germany.